

A

B

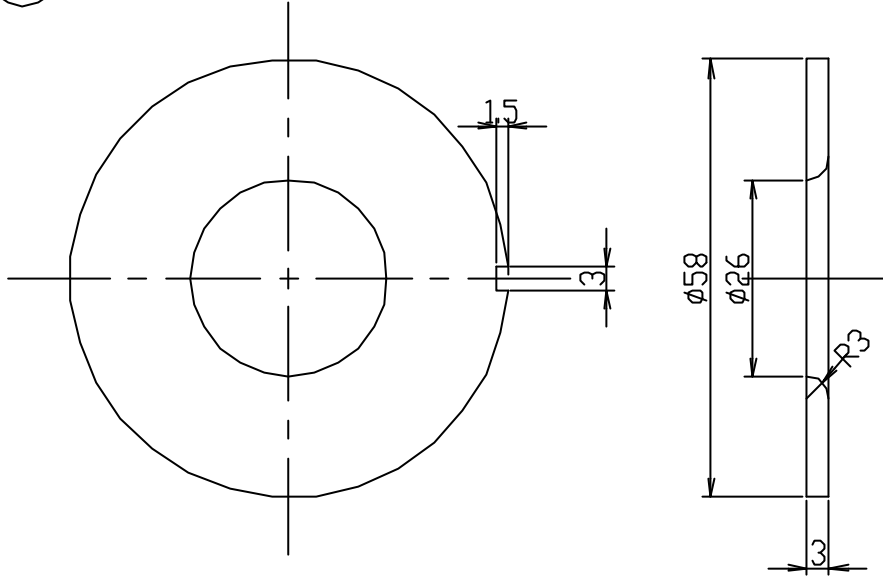
C

PLAN RECORD

REV.	REMARKS	DATE	APPROVED

1

①



2

3

NOTE

1. 3x1.5 NOTCH IS NOT NECESSARY FOR XS1

MARK	DESCRIPTION	MATERIAL	QTY	PER PIECE WEIGHT(kg)	TOTAL	REMARKS
1	GASKET	RUBBER	1			GAS PROOF HsA50

TITLE

XS1 FUEL TANK CAP
GASKET

4

GENERAL MANAGER	SENIOR MANAGER	MANAGER	APPROVED	CHECKED	DRAWN
T.Mitsuyasu				A.Shin	
SCALE	S=1/1	DATE	2006,04,22	DRAWING No.	0604001
HAHAHA MOTOR				SPECIFIED No.	256-24612-00