

A

B

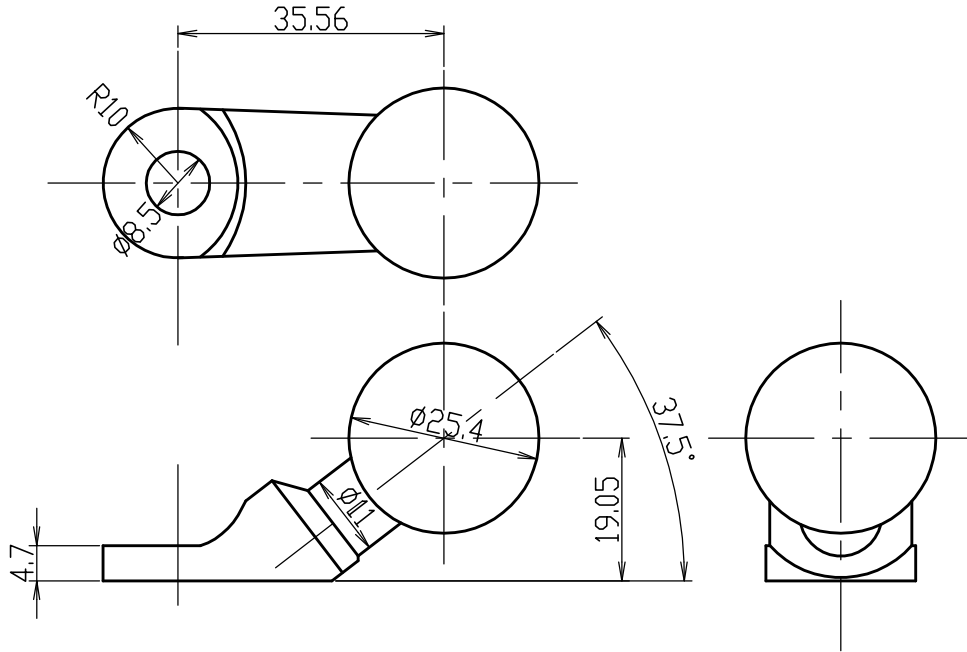
C

PLAN RECORD

REV.	REMARKS	DATE	APPROVED

1

①



2

3

MARK	DESCRIPTION	MATERIAL	QTY	PER PIECE WEIGHT(kg)	TOTAL WEIGHT(kg)	REMARKS
1						

TITLE

RAM-B-272

4

GENERAL MANAGER	SENIOR MANAGER	MANAGER	APPROVED	CHECKED	DRAWN
T.Mitsuyasu				A.Shin	
SCALE	S=1/1	DATE	2006,04,22	DRAWING No.	0701002
RIGHT STUFF				SPECIFIED No.	