

A

B

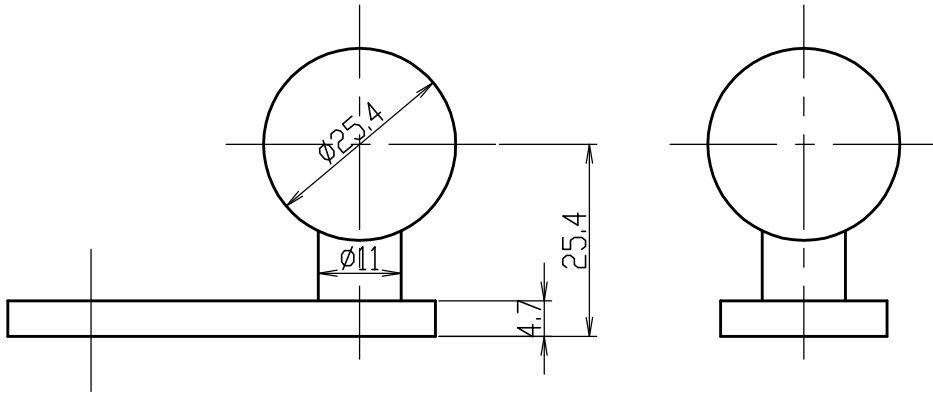
C

PLAN RECORD

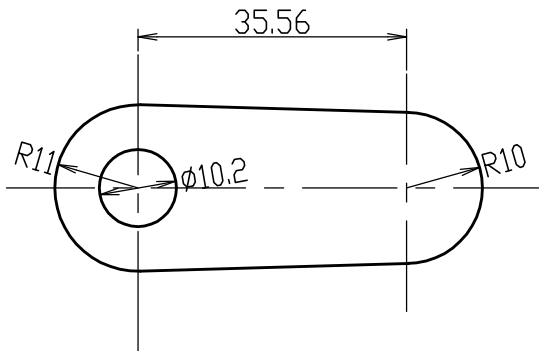
REV.	REMARKS	DATE	APPROVED

1

①



2



3

MARK	DESCRIPTION	MATERIAL	QTY	PER PIECE WEIGHT(kg)	TOTAL	REMARKS
1						

4

TITLE	RAM-B-252					
GENERAL MANAGER	SENIOR MANAGER	MANAGER	APPROVED	CHECKED	DRAWN	
T.Mitsuyasu				A.Shin		
SCALE	S=1/1	DATE	2007,01,17	DRAWING No.	0701001	
RIGHT STUFF				SPECIFIED No.		