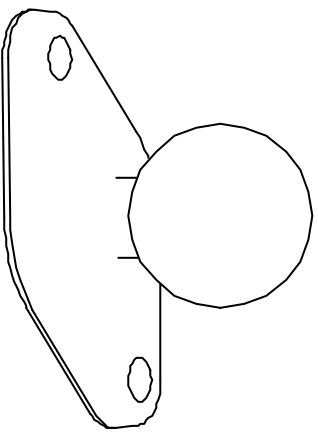
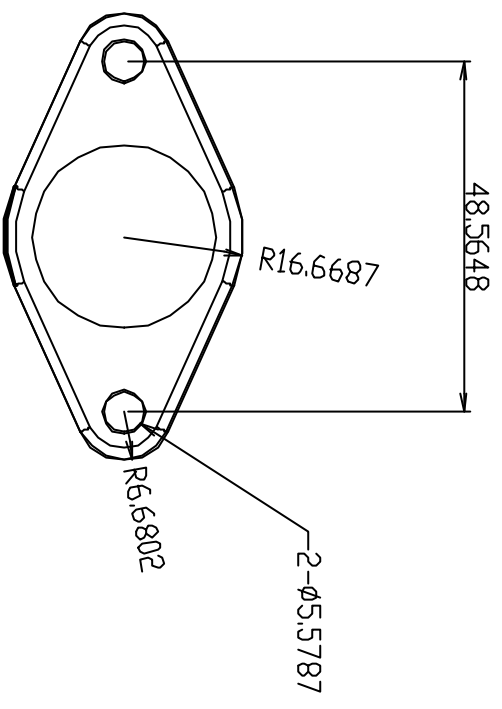
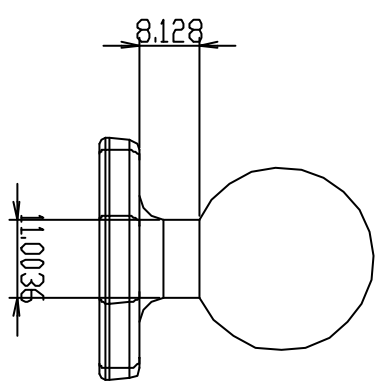
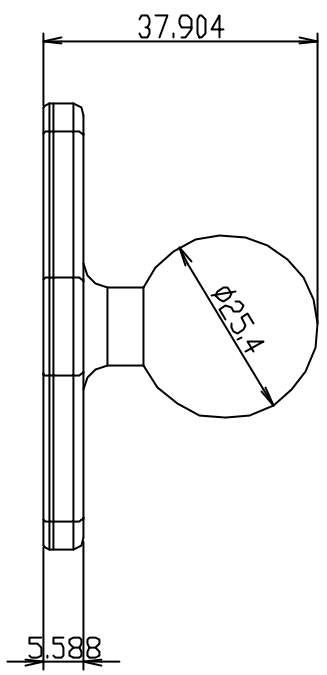


THE INFORMATION CONTAINED IN THIS DRAWING IS THE SOLE PROPERTY OF NATIONAL PRODUCTS INC. ANY REPRODUCTION IN PART OR WHOLE WITHOUT THE WRITTEN PERMISSION OF NATIONAL PRODUCTS INC. IS PROHIBITED.



UNLESS OTHERWISE SPECIFIED  
DIMENSIONS ARE IN INCHES  
TOLERANCES ARE:  
FRACTIONS DECIMALS  
+ - 1/32 .XX - .05  
XXXX - .030

MATERIAL ALUMINUM  
FINISH BLACK POWDER COAT  
DID NOT SCALE DRAWING

NATIONAL PRODUCTS INC.  
1017 S. ELMROVE ST.  
SEATTLE, WA 98148

RAM DIAMOND BASE WITH  
1" DIAMETER RUBBER BALL

APPROVALS	DATE
JDC	02/05/99
CMR	04/20/01

SIZE	DWG. NO.	REV.
A	RAM-B-238	
SCALE	CAD FILE	SHEET
	RAMB238	1