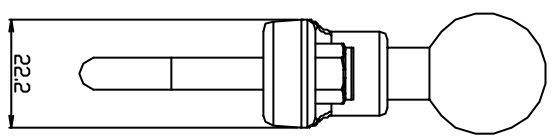
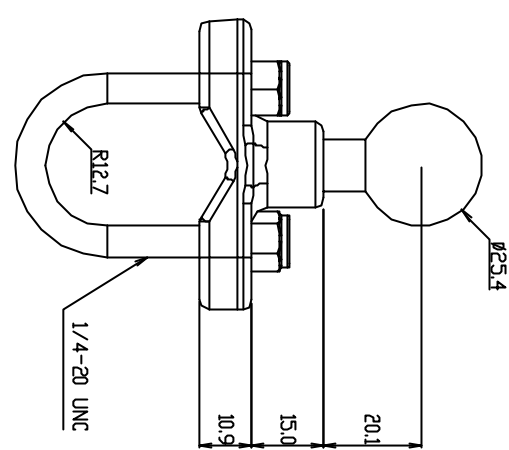
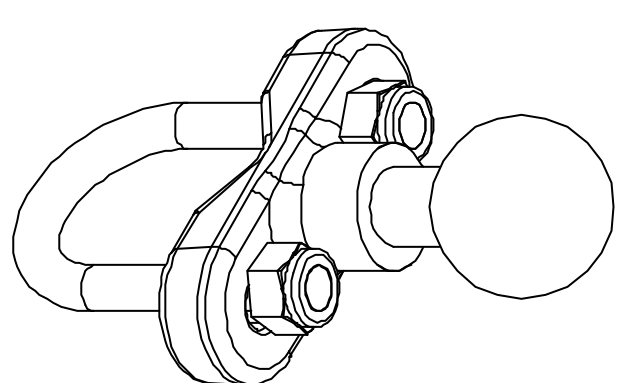
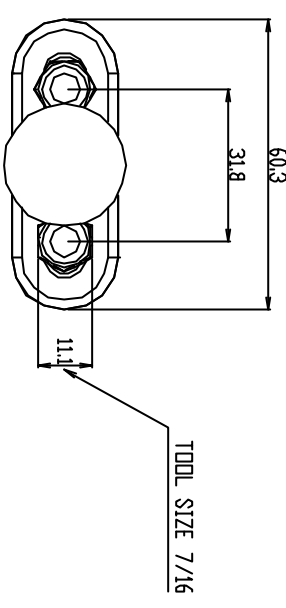


8 THE INFORMATION CONTAINED IN THIS DRAWING IS THE SOLE PROPERTY OF  
 7 NATIONAL PRODUCTS INC. ANY REPRODUCTION IN PART OR WHOLE WITHOUT  
 6 THE WRITTEN PERMISSION OF NATIONAL PRODUCTS INC. IS PROHIBITED.



1/4"-20 U-BOLT WITH NUTS



UNLESS OTHERWISE SPECIFIED, CAD GENERATED DRAWING. DIMENSIONS ARE IN INCHES. TOLERANCES ARE:		NATIONAL PRODUCTS INC. 1017 S. ELMGROVE ST. SEATTLE, WA 98108	
FRACTIONS	DECIMALS	APPROVALS	DATE
+ - 1/32	.XX+ - .06	DESIGNER	01/19/01
.XXX+ - .030		CHECKER	04/20/01
MATERIAL	ALUMINUM	REV. ENG.	
FINISH	BLACK POWDER COAT	PRO. ENG.	
DD NOT SCALE DRAWING		QUAL. ENG.	

RAM BASE WITH 1/4"-20 X 1" ID U-BOLT AND 1" DIA. RUBBER BALL		SCALE	
SIZE	1 1/4" x 1"	CAD FILE	RAM-B-231
REV.	A	SHEET	1 OF 1