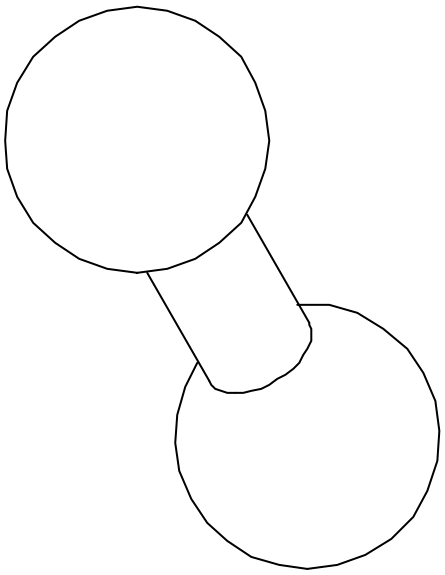
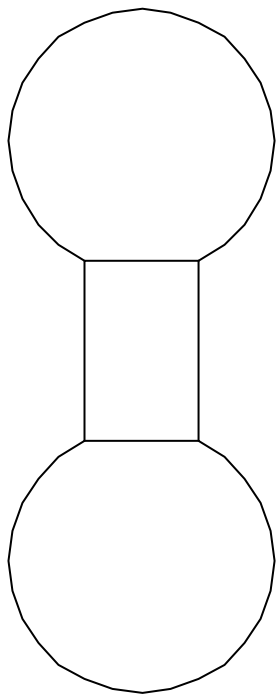
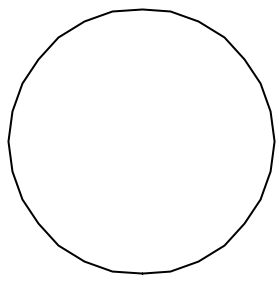
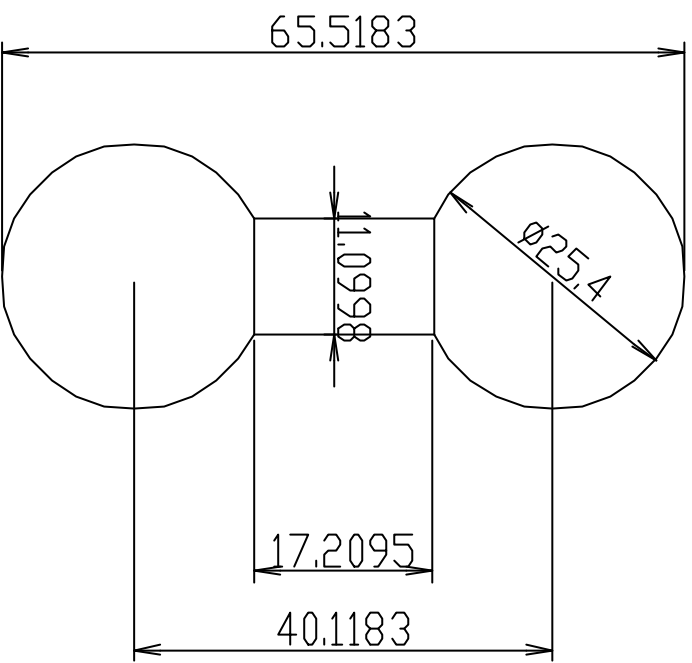


ALL DIMENSIONS SHOWN IN THIS DRAWING ARE THE NET DIMENSIONS UNLESS OTHERWISE SPECIFIED.
 THE NET DIMENSIONS OF MATERIALS SHALL BE THE BASIS FOR THE FABRICATION OF THIS DRAWING.



NO.	REVISION	DATE	BY

NATIONAL PRODUCTS INC.	
DESIGNED BY	JIC
CHECKED BY	CNR
DRAWN BY	
DATE	
TITLE	PLAN
PROJECT	
DESCRIPTION	RAM DOUBLE 1" DIA RUBBER BALL
QUANTITY	
SCALE	
DATE	