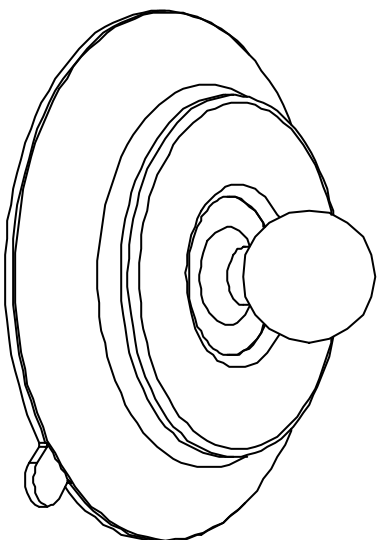
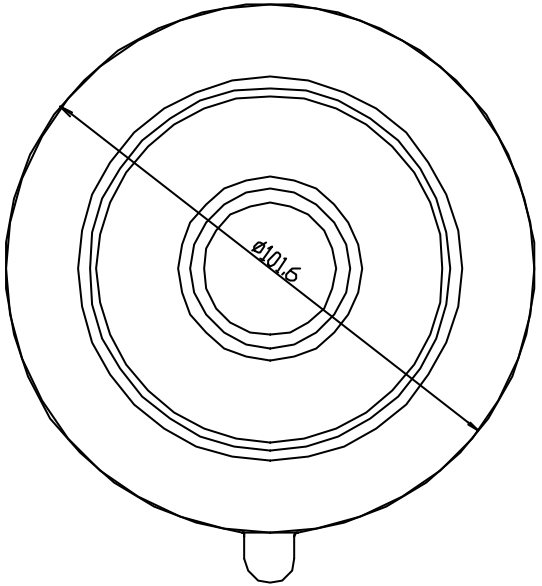
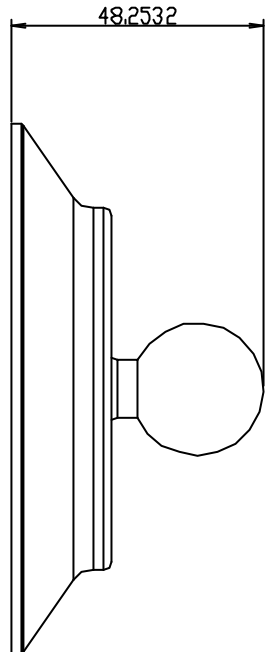
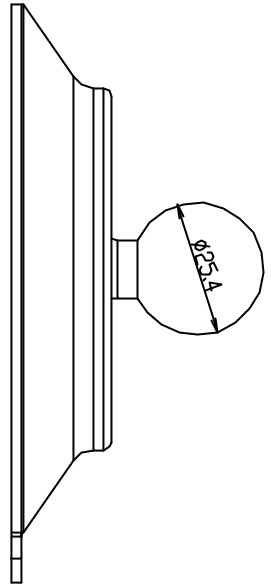


THE INFORMATION CONTAINED IN THIS DRAWING IS THE SOLE PROPERTY OF NATIONAL PRODUCTS INC. IT IS TO BE USED FOR THE MANUFACTURE OF THE PARTS AND ASSEMBLIES SPECIFICALLY IDENTIFIED THEREON.

REV.	DESCRIPTION	DATE	BY



NATIONAL PRODUCTS INC.	
DESIGNER: JMC	DATE: 03/20/01
CHECKER: CHR	DATE: 04/26/01
PART NAME: RAM-4" DIAMETER EPDM RUBBER SUCTION CUP	
PART NUMBER: RAM-B-224	
MATERIAL: EPDM	
QUANTITY: 1000	
DRAWN BY: JMC	
DATE: 03/20/01	
SCALE: 1:1	
SHEET NO. 1 OF 1	