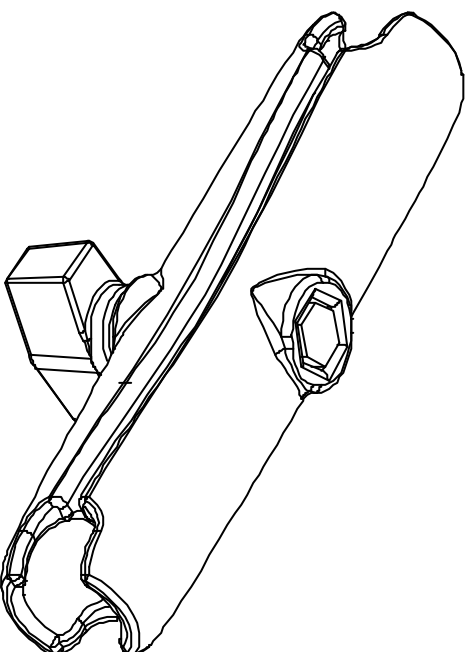
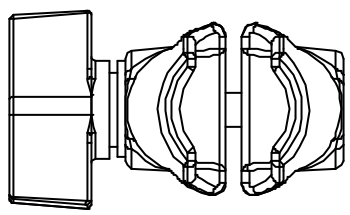
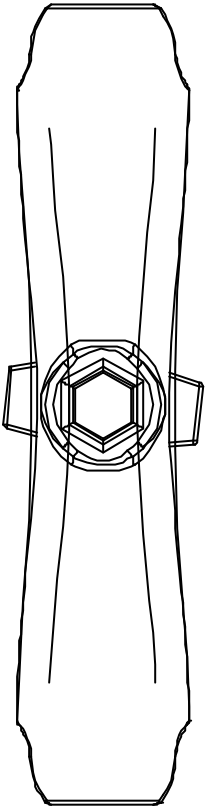
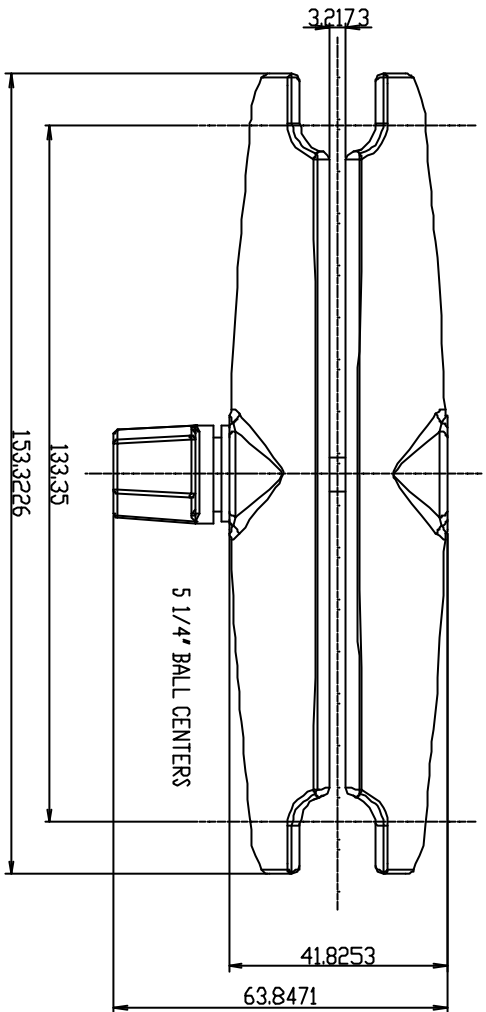


THE INFORMATION CONTAINED IN THIS DRAWING IS THE SOLE PROPERTY OF NATIONAL PRODUCTS INC. IT IS TO BE USED FOR THE MANUFACTURE OF THE PARTS IDENTIFIED THEREIN. NO PARTS OF THIS DRAWING ARE TO BE REPRODUCED OR TRANSMITTED IN ANY FORM OR BY ANY MEANS, ELECTRONIC OR MECHANICAL, INCLUDING PHOTOCOPYING, RECORDING, OR BY ANY INFORMATION STORAGE AND RETRIEVAL SYSTEM, WITHOUT THE WRITTEN PERMISSION OF NATIONAL PRODUCTS INC.



NATIONAL PRODUCTS INC.	
DATE: 01/15/01	SCALE: 1:1
DESIGNED BY: JJC	DATE: 01/15/01
DRAWN BY: JJC	DATE: 01/15/01
CHECKED BY: JJC	DATE: 01/15/01
APPROVED BY: JJC	DATE: 01/15/01
PART NAME: RAIN-C LENGTH DOUBLE	
SUBJECT: ARM FOR J1 11/A	
MATERIAL: RUBBER BALLS	
QUANTITY: 1	
DRAWING NO: RAIN-9-201-C	
REV: 1	

NO.	REVISION	DATE	BY