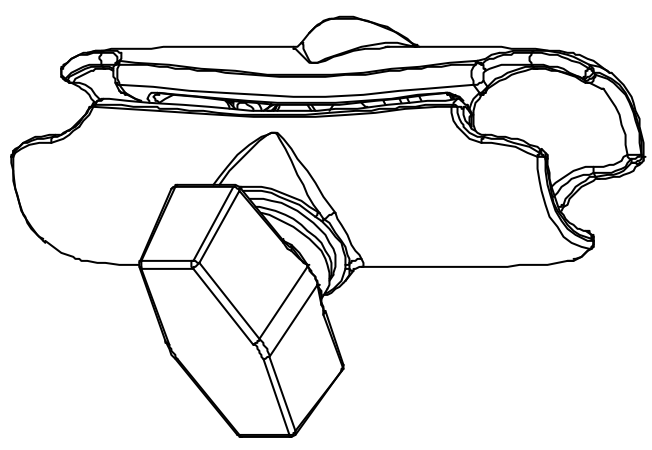
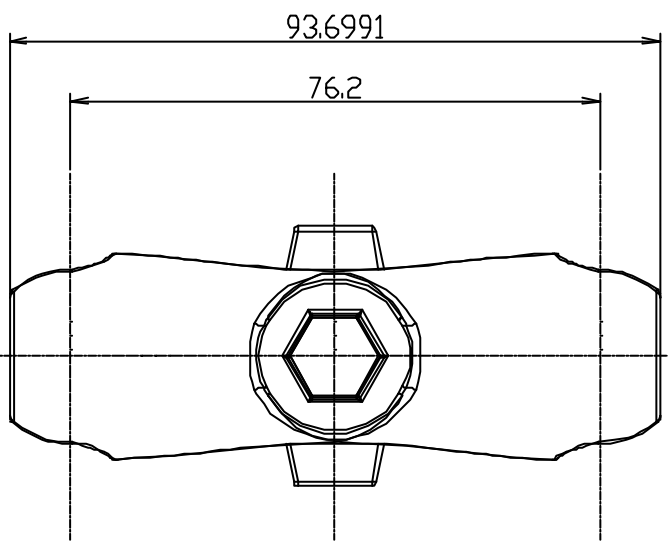
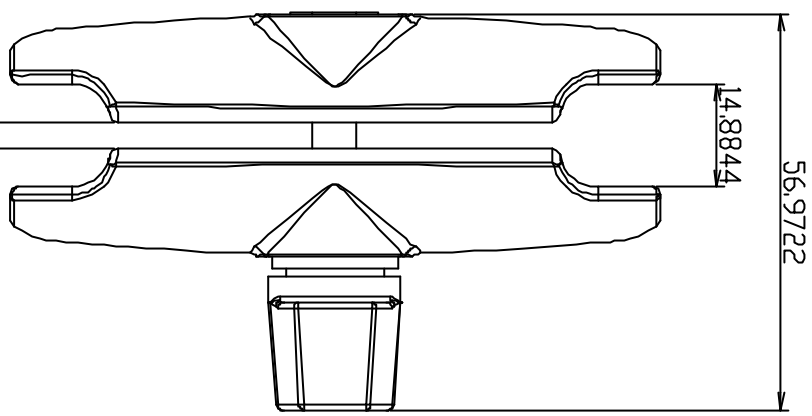
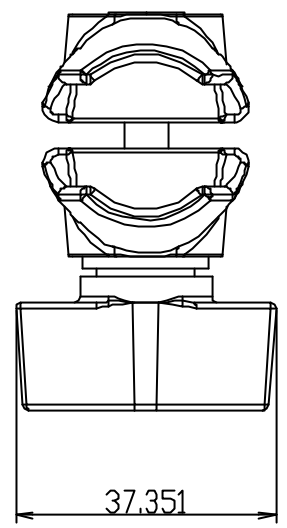


THE INFORMATION CONTAINED IN THIS DRAWING IS THE SOLE PROPERTY OF NATIONAL INSTRUMENTS. IT IS TO BE USED FOR THE PROJECT AND SITE SPECIFICALLY IDENTIFIED HEREIN. IT IS NOT TO BE REPRODUCED OR TRANSMITTED IN ANY FORM OR BY ANY MEANS, ELECTRONIC OR MECHANICAL, INCLUDING PHOTOCOPYING, RECORDING, OR BY ANY INFORMATION STORAGE AND RETRIEVAL SYSTEM, WITHOUT THE WRITTEN PERMISSION OF NATIONAL INSTRUMENTS.



NO.	REVISION	DATE	BY

TITLE: 17" DIAMETER SOCKET FOR 1" DIAMETER RUBBER BALLS DRAWING NO.: RAM-9-201 DATE: 09/28/01 DRAWN BY: JMC CHECKED BY: JMC IN CHARGE: JMC PROJECT: 17" DIAMETER SOCKET FOR 1" DIAMETER RUBBER BALLS SHEET NO.: 1 OF 1		NATIONAL PRODUCTS INC. 17" DIAMETER SOCKET FOR 1" DIAMETER RUBBER BALLS DRAWING NO.: RAM-9-201 DATE: 09/28/01 DRAWN BY: JMC CHECKED BY: JMC IN CHARGE: JMC PROJECT: 17" DIAMETER SOCKET FOR 1" DIAMETER RUBBER BALLS SHEET NO.: 1 OF 1
---	--	--